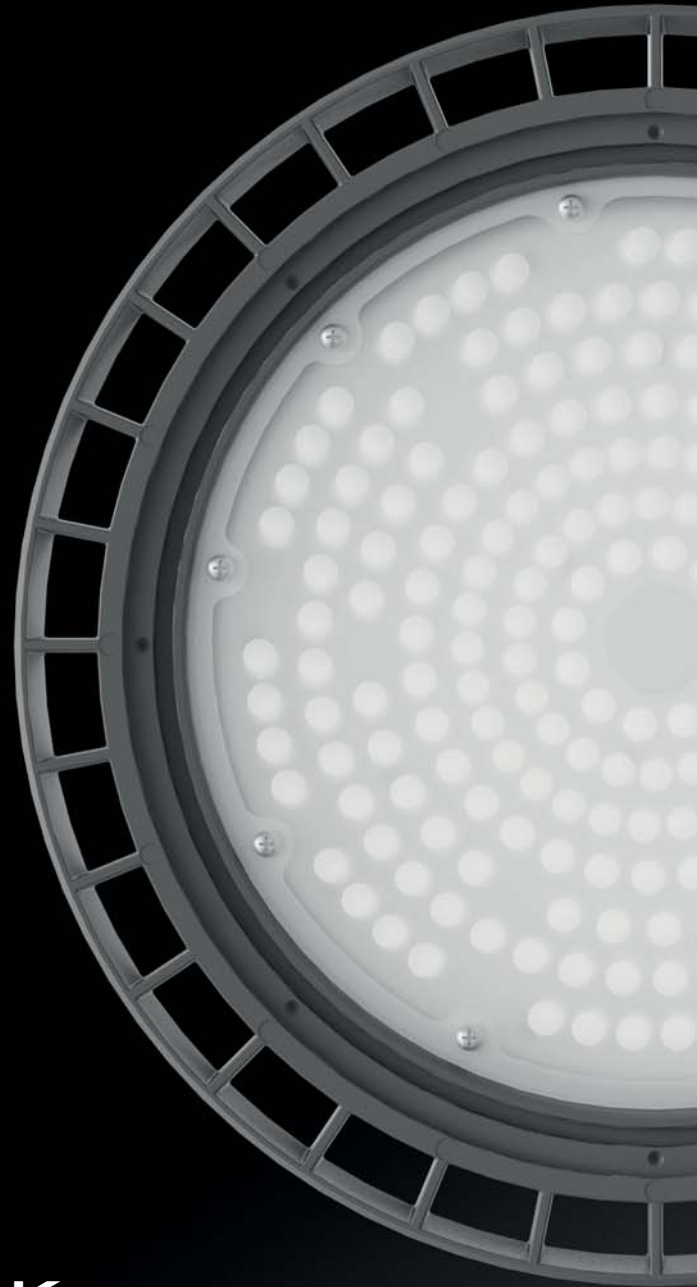


secom



KONAK
High bay

KONAK Versity
Flood light / Catenaria / Urban (column)

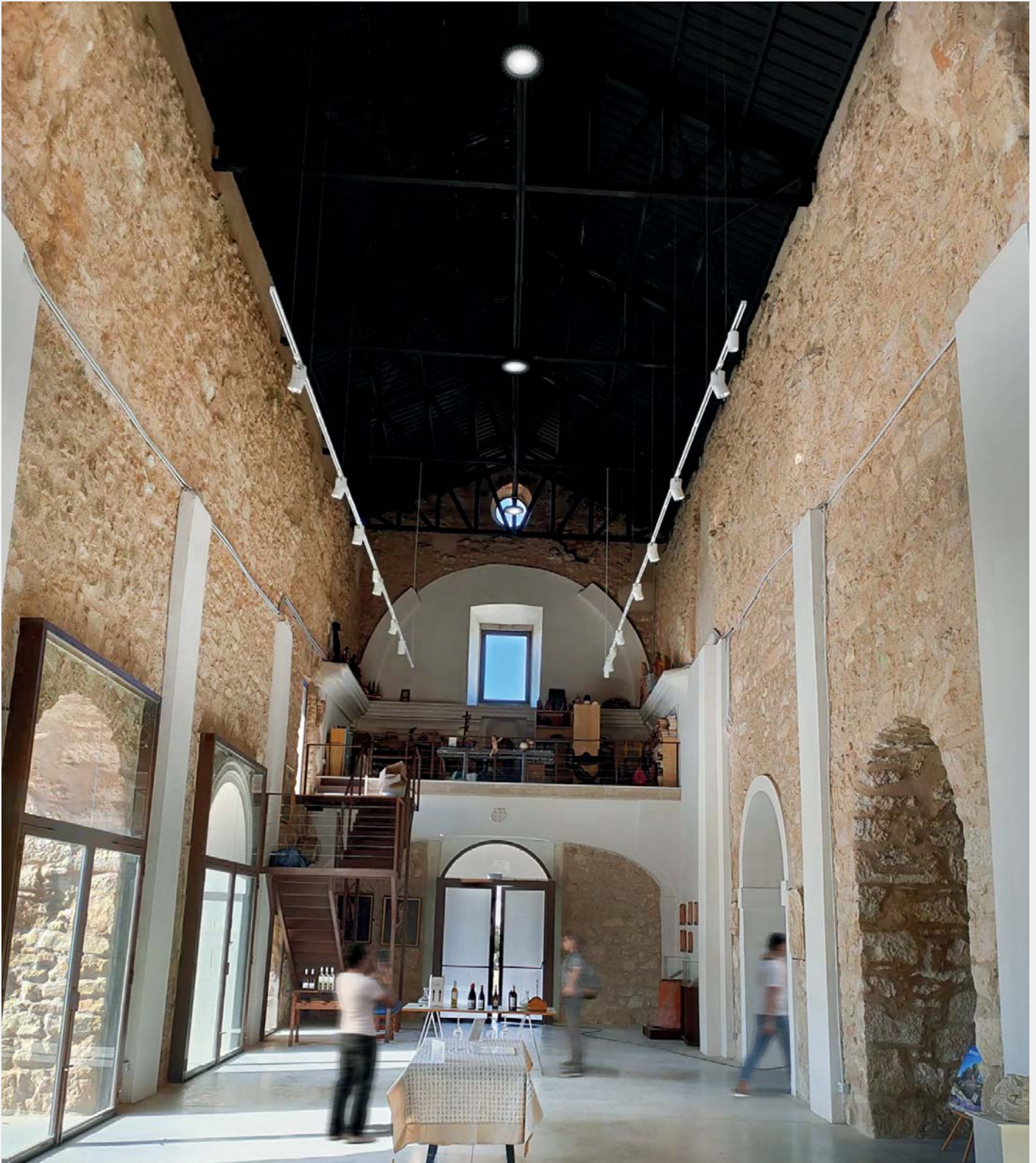


eralight[®]
SYSTEM

TECHNOLOGY AND INNOVATION

In the industrial field, proper lighting is essential to ensure safety, efficiency and productivity.

Industrial LED luminaires have revolutionised the industry by providing powerful, long-lasting and energy-efficient lighting.



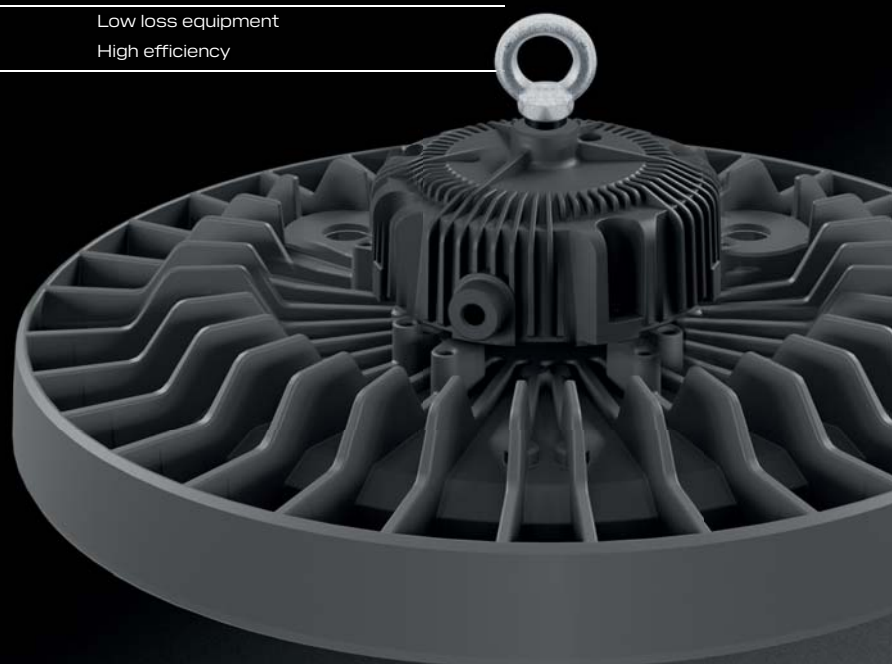
KONAK KONAK Versity

The new generation of Secom Iluminación lighting systems have been developed prioritising performance, versatility and even the compatibility of the system itself.

ERALIGHT system, a new performance and functionality alternative, for all those operations that require a high power LED solution, thus allowing to accelerate the return on investment through a Made in Secom concept.

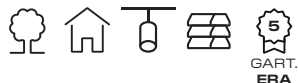
eralight® SYSTEM

LED	3030
LED TYPE	MEDIUM POWER (MP) Epoxy encapsulated LED, surface mounted
POWER	100 w 150 w 200 w 250 w
LIFE SPAN	50.000 h. L80B10 Ta35°C Tt85°C
OPTICS	PMMA
LUMINAIRE PROTECTOR	PMMA high impact IK10 optional
DIMMING	Dali 2.0 optional
NO. OPTICS	3 options
GUARANTEE	5 years
CHARACTERISTICS	Low loss equipment High efficiency



KONAK

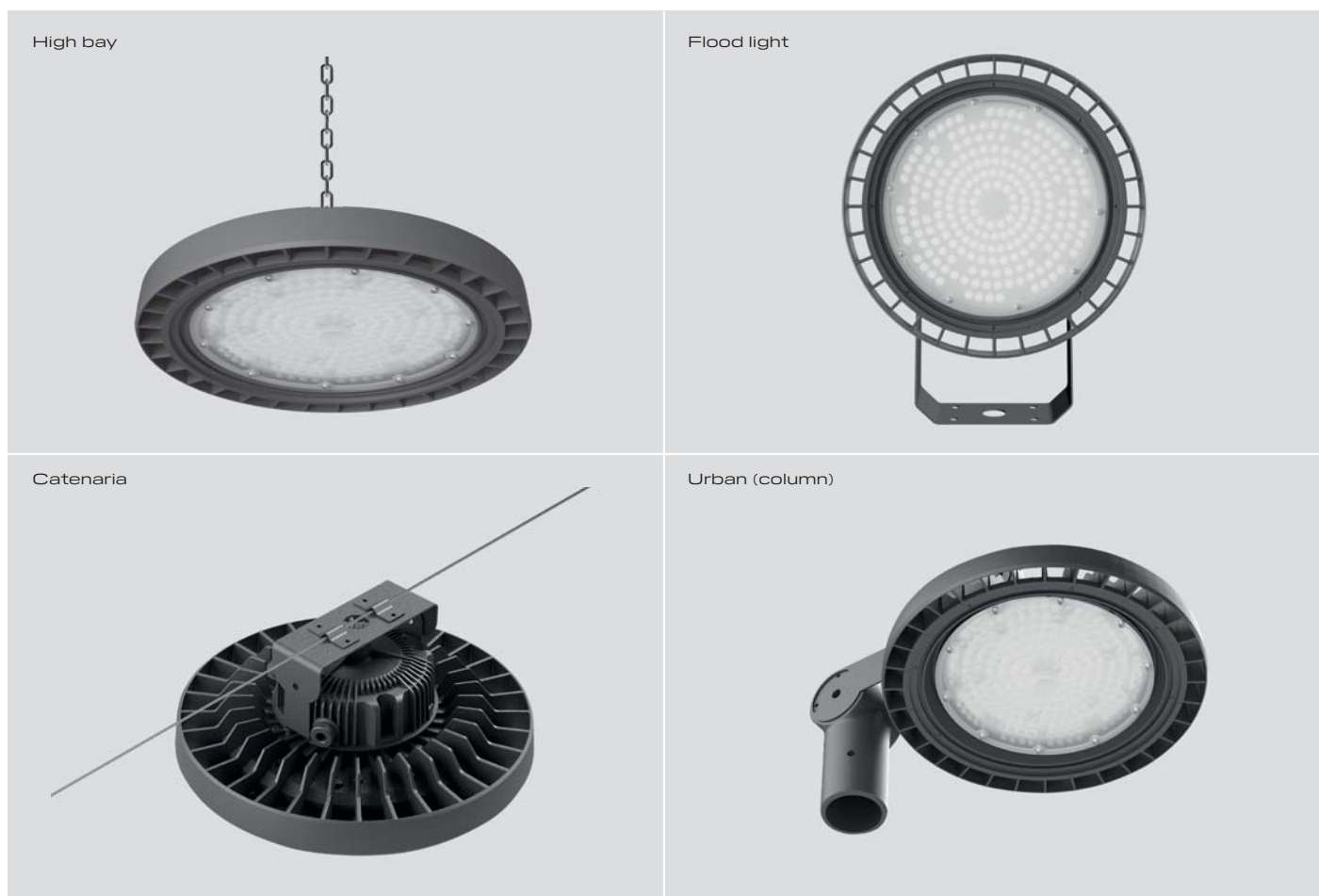
KONAK Versity



Konak LED, a luminaire with an innovative design where aesthetics have been optimised, a luminaire with high performance, robustness and durability.

High luminous efficiency due to its polycarbonate enclosure, the aluminium injection body and the high quality of the electronic components.

MID POWER	220-240V	50-60 HZ	100 150 200 250	DRIVER INCLUDED	OPTIONAL	>70 >80	65	08 *10 OPTIONAL	3000K 4000K 5000K	3 OPTICS	<0,97	0	CLASSE I	50.000 H L80B10	-20° +35°	M 4,000 L 9,000



SYSTEM

KONAK eralight® (M/L)
High bay

KONAK VERSITY eralight® (M)
Flood light / Catenaria / Urban (column)

CHARACTERISTICS



LED MID POWER up to 155 Lm/W, high light intensity. Low light decay. Uniform luminous flux.



Choice of 3 different optics depending on the project to be illuminated.



Driver
Ripple <5%
THD <20%
FLICKER FREE



Photobiological risk 0.



High IP rating, offering watertightness against humidity, guaranteeing the protection of all electronic components.



2 closure options (PMMA AND POLYCARBONATE).
Vandal-proof luminaire, passing impact tests of 50 joules.



Quick connector for the power supply.
Non-dimmable.
Easy connection between modules and equipment. Quick maintenance.



Optimised design for better heat dissipation and to guarantee the best performance.



6KV in driver.



Finished in Grey (58), other RAL colours on request.



Efficient for energy saving and maintenance during installation.

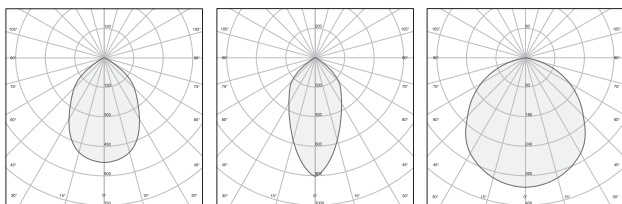


5 years warranty.



Multi-directional cooling system to reduce the temperature of the thermal area.

OPTICS

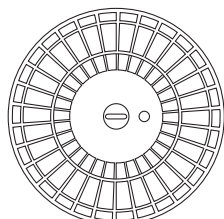
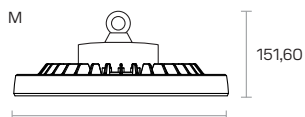
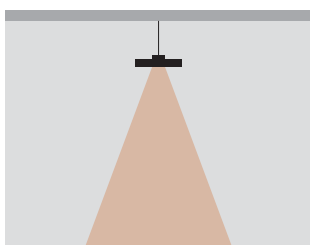


With 90° secondary optics

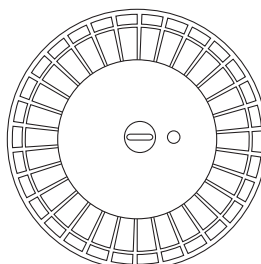
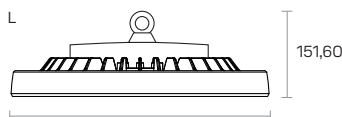
60°
60°

120°
Without 120° secondary louvre

DIMENSIONS



Ø 338,5

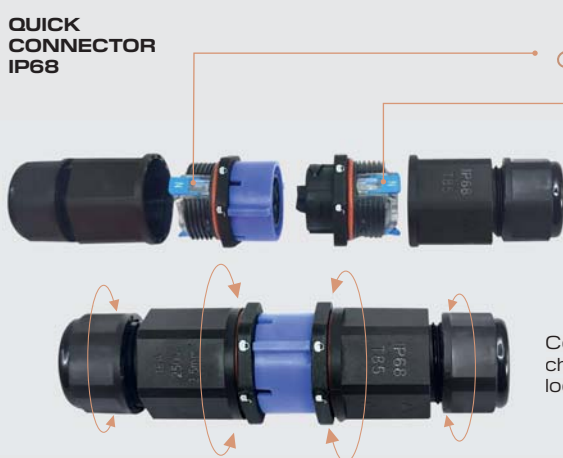


Ø 450

QUICK CONNECTOR

ON/OFF VERSION

QUICK CONNECTOR
IP68



Tool-free wiring installation, quick connection studs.

Connect the male / female connector, check the fit by means of the safety lock.

REFERENCE GENERATOR

REF.PRODUCT	COLOUR	POWER (W)	TEMP.COLOUR	SYSTEM	OPTIC	DRIVER	ACCESSORIES
S4290B (M/L)	58 GRAY	10 (100 W) M	73 (3000 K)	ERA	- With secondary optics 90° (100/150/200w)	- ON / OFF Standard	AM Pintura ambiente marino
S4291B (Versity) M		15 (150 W) M	74 (4000 K)		60 60° (100/150/200w)	DRD Driver adjustable DALI 2.0	IK10 Impact resistance
		20 (200 W) M	75 (5000 K)		120 Without secondary optics 120° (100/150/200/250w)		
		25 (250 W) L	83 (3000 K)				
			84 (4000 K)				
			85 (5000 K)				
S4290B	58	15	74	ERA	-	DRD	-

Example configuration **S4290B581574ERADRD**

COMPLEMENTS

SKEX	External emergency kit 3 h.
-------------	-----------------------------

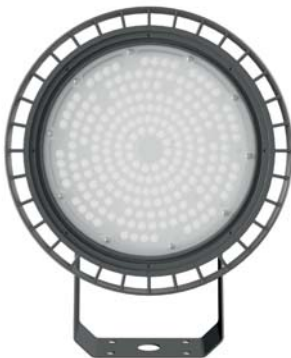
*Consult available powers.

COMPLEMENTS KONAK Versity

S4291B158	Projector Pole
S4291B258	Catenary Accessory
S4291B358	Column support (City)
SKEX	External emergency kit 3 h.

*Consult available powers.

S4291B158 (Versity)



S4291B258 (Versity)



S4291B358 (Versity)



SYSTEM FLOW ACCORDING TO OPTIC VERSION

*Tolerances: +7% LED flux / +- 10% luminaire wattage

3000K / CRI>70

W	Lm. LED	Lm. System 90°	Lm. System 60°	Lm. System 120°
100	15174	14310	11725	14697
150	22383	21172	20510	21036
200	28800	25356	21401	27023
250	34828	-	-	33390

4000K / CRI>70

W	Lm. LED	Lm. System 90°	Lm. System 60°	Lm. System 120°
100	15490	14609	11969	15003
150	22850	21614	20937	21474
200	29400	25884	21847	27586
250	36662	-	-	35148

5000K / CRI>70

W	Lm. LED	Lm. System 90°	Lm. System 60°	Lm. System 120°
100	15806	14907	12213	15310
150	23316	22055	21364	21912
200	30000	26412	22293	28149
250	38592	-	-	36998

3000K / CRI>80

W	Lm. LED	Lm. System 90°	Lm. System 60°	Lm. System 120°
100	13960	13166	10787	12303
150	20593	19479	18869	18988
200	26496	23327	19689	24860
250	32041	-	-	30718

4000K / CRI>80

W	Lm. LED	Lm. System 90°	Lm. System 60°	Lm. System 120°
100	14251	13440	11012	13164
150	21022	19884	19262	18988
200	27048	23813	20099	25378
250	33729	-	-	32336

5000K / CRI>80

W	Lm. LED	Lm. System 90°	Lm. System 60°	Lm. System 120°
100	14542	13714	11236	14085
150	21451	20290	19655	20159
200	27600	24299	20510	25897
250	35504	-	-	34038

secom

LIVE THE
LIGHT

Polígono Industrial La Estrella
Calle Marte, 18-21
30500 Molina de Segura
Murcia / Spain
+34 968 80 12 11
www.secom.es

